

Material:

Housing: 30% Glass filled PBT UL94V-0.

Contacts: Brass.

Plating: Gold plated over nickel.

Tin plated over nickel.

Electrical Characteristics:

Current Rating: 1 AMP.

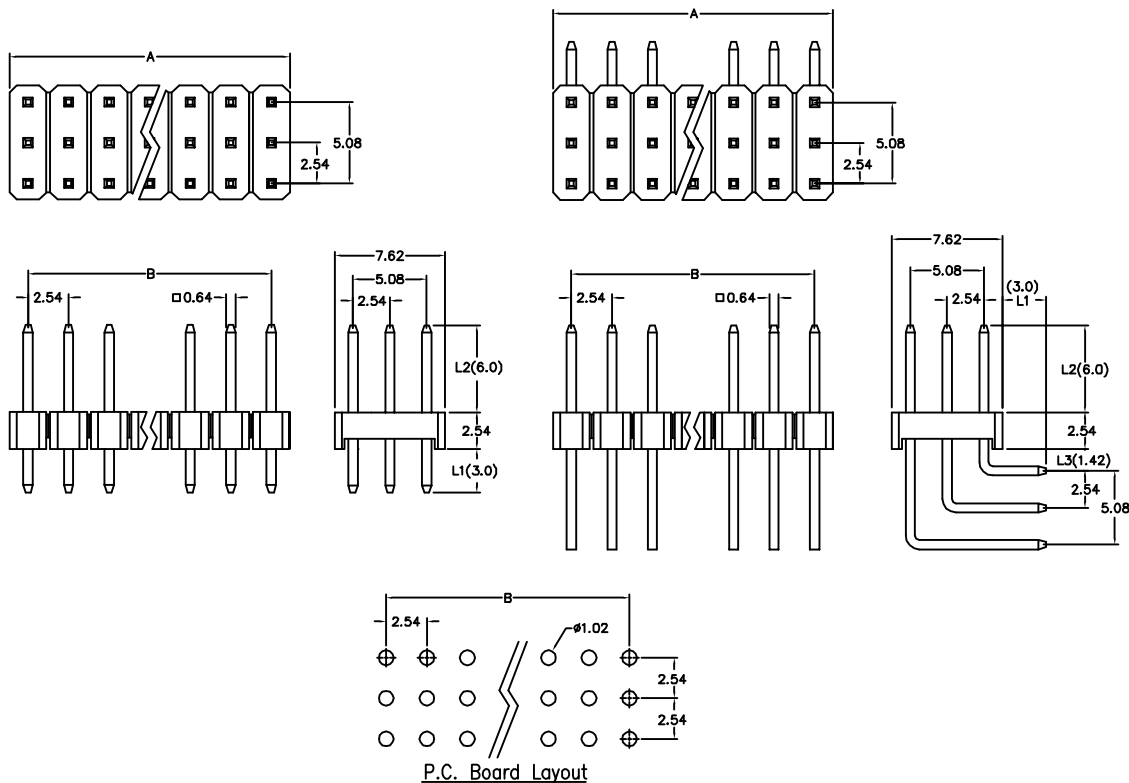
Insulator Resistance: 5000MΩmin. at DC 500V.

Contact Resistance: 20mΩmax. at DC 100mA.

Operating Temperature: -55°C ~ +105°C.

Features:

- * Available in Straight and Right angle.
- * Side-to-side and end-to-end stackable.
- * Custom design offered.



Position	9 Thru 120
Dimension	
A	2.54 X No. of Positions /3
B	2.54 X No. of Positions /3-2.54

Ordering information

PH01- 3 X 40 1 1
 Series Triple Row No. of Pin Per Row 1: Gold Plated 2: Tin Plated 1: Straight 2: Right Angle

Custom Design: Straight (i.e. PH01- 34011/ L1 / L2)
 Right Angle (i.e. PH01-34012/ L1 / L2 / L3)